

**SPECIFICATIONS**

**Material:** HEXSEALS: Silicone rubber conforms to A-A-59588 Class III, GR 60 unless otherwise specified.

**Mounting Nut:** HEXSEALS: Brass, nickel-plated (unless otherwise noted)

**Temperature Range:** HEXSEALS: -94°F to +400°F

**Pressure Range:** Exceeds 15 psi internal and 1500 psi external.

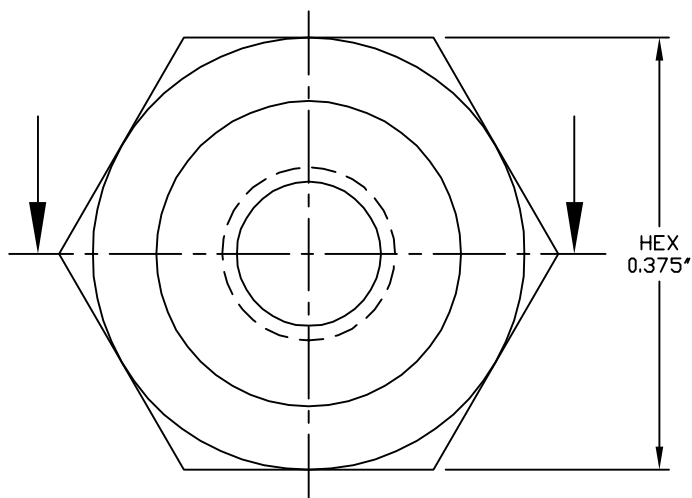
**Operational Life:** 50,000 actuations (minimum).

**Shelf Life:** Excess of 25 years.

**Resistant to:** Salt spray, sunlight, ozone, weather, fungus, and most acids and lubricating oils

**Agency Recognition:** E-SEEL and HEXSEAL are UL listed to UL Std. 50 types 1-13, and meet CSA standards.

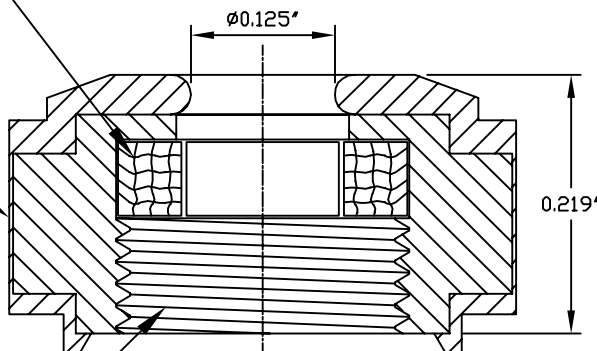
**Installation:** If a reducing adaptor is required- see page 14 of HEXSEAL catalog HEX200 for part numbers and drawing.



MONEL MESH  
PER QQ-N-281 CLASS A  
FOR EMI/RFI SUPPRESSION

PERMISSIBLE RUBBER  
OVERLAY 0.005 MAX.

1/4-32NEF-2B



G	MAT'L CHANGED and REDRAWN	S. GOK	07.13.09
F	CAD COMPUTER GENERATED		09.23.02
E	SLASH NO. 29, INSERT THREAD WAS 3/8-32 NEF-2B	A. S.	10.17.77
REV.	DESCRIPTION		DATE
MAXIMUM AND MINIMUM MEASUREMENTS ARE STATED DIRECTLY ON EACH DIMENSION.	TITLE: EMI/RFI BOOT, ROTARY SEAL (N9040x1/8 RFI)	ENG.	
		DWN. N. K. S.	01.18.67
MAT'L: Silicone Rubber conforms to A-A-59588, Gr. 60	APM-HEXSEAL CORPORATION	CHKD. M. M.	01.18.67
FINISH: GRAY		SCALE 6:1	DWG. NO. N9040x1/8 RFI HEXSEAL®

THIS DRAWING COVERS PROPRIETARY ITEM AND IS THE PROPERTY OF THE APM-HEXSEAL CORPORATION. THIS DRAWING IS NOT TO BE COPIED OR USED WITHOUT THE WRITTEN APPROVAL OF AN OFFICER OF THE APM-HEXSEAL CORPORATION.